



# Battery Management Systems

## Testing Equipment

### Battery Tester with Cigar Plug

- Digital Volt Meter
- From 5 to 30 Volts

Order Stock Code:

**CON-00201 (Bulk)**

**BSP-00401 Packaged**



### Cigar Female + Clamps

- The battery tester can be used with the cigar female and battery clamp kit for direct battery connection

Order Stock Code:

**BSP-00004 Packaged**



## Battery Charging Equipment



Order Stock Code:

**BMS-60050**

# Intelligent BATTERY CHARGER

## Charges & Maintains

Flooded (WET), MF, VRLA, AGM, GEL & Calcium batteries

A compact Dual Function 12Volt Battery Charger suitable for motorcycle, motor vehicle and Deep Cycle batteries



### UNIQUE FEATURES - ONE CHARGER DOES IT ALL !

- Automatically Diagnoses, Recovers & Charges Flooded (WET), MF, VRLA, AGM, GEL & Calcium batteries
- Unique charging and maintenance feature enhances battery life (Can be permanently connected)
- 8 Step fully automatic smart charge & maintenance program
- 1.2Ah - 120Ah (charging) up to 160Ah battery capacity
- Rescues drained batteries over 2 Volt
- Includes Quick Connect battery clamps
- Includes Quick Connect ring terminals





# Battery Management Systems

## Split Charging Systems

### Battery Manager DIY kit

- 6m red & black cable (16mm<sup>2</sup>)
- Includes Dual Battery monitor
- Battery terminals supplied
- Double insulated cable
- In-line fuses supplied
- Dual battery isolator



Order Stock Code:

**BMS-20201 (S355)**

### Intelligent Solenoid (5 minute timer)

- Continuous 85Amp High-current capability
- Stand alone battery isolator
- No ignition sense required
- Durable, low-loss solenoid
- High-current capability
- Simple to install



Order Stock Code:

**BMS-20001 (S380) Black base**

**BMS-20005 (Grey base - Land Rover spec)**

### Intelligent Solenoid (45 second timer) Red Base

- Continuous 85Amp High-current capability
- Stand alone battery isolator
- No ignition sense required
- Durable, low-loss solenoid
- Simple to install



Order Stock Code:

**BMS-20004 Red base**

### Single Battery Monitor (no alarm)

- Digital 12-volt battery monitor
- Low-voltage visual warning
- Overcharge visual warning
- Simple, accurate display
- Mounting plate supplied
- 3.5m cable supplied



Order Stock Code:

**BMS-10100 (S384)**

### Single Battery Monitor (with alarm)

- Battery monitor with alarm
- Audible and visual alarms
- Mounting plate supplied
- 3.5m cable supplied



Order Stock Code:

**BMS-10101 (S386)**

### Recessed Single Battery Monitor

- Battery monitor with alarm
- Flush mount design for panels
- Audible and visual alarms
- 3.5m cable supplied



Order Stock Code:

**BMS-10111 (S387)**

### Dual Battery Monitor

- Monitors two 12V batteries
- Audible and visual alarms
- 3.5m cable supplied
- Mounting plate supplied



Order Stock Code:

**BMS-10201 (S388)**

### Recessed Dual Battery Monitor

- Panel-mount, recessed design
- Monitors two 12V batteries
- Audible and visual alarms
- 3.5m cable supplied



Order Stock Code:

**BMS-10211 (S389)**

### Dual Battery Controller

- Suitable for Intelligent Solenoid & Portable Power Pack
- Digital dual-battery monitor
- Mounting plate supplied
- 3.5m cable supplied
- Timer override



Order Stock Code:

**BMS-10301 (S390)**

### Recessed Dual Battery Controller

- Suitable for Intelligent Solenoid & Portable Power Pack
- Digital dual-battery monitor
- Mounting plate supplied
- 3.5m cable supplied
- Timer override



Order Stock Code:

**BMS-10311 (S393)**



# Battery Management Systems

## Portable Power Pack excludes cable & hardware

- Split-charge isolator built-in
- Integrated battery monitors
- Fused accessory outputs
- Large battery capability

Order Stock Code:  
BMS-20101

BMS-20103 Land Rover Spec



## Portable Power Pack includes cable & hardware

- 7 meter power cable (Double-insulated)
- Split-charge isolator built-in
- Integrated battery monitors
- Fused accessory outputs
- Large battery capability
- Hardware kit

Order Stock Code:  
BMS-20102

BMS-20104 Land Rover Spec



## Portable Power Pack Cable Set

- For use with portable power pack
- 7- metre, 16mm<sup>2</sup> cable pair
- 50A DC coupler attached
- Double-insulated cable

Order Stock Code:  
WIR-57401 (S510)



## Battery U-bolt Bracket

- For use with Portable Power Pack
- Wide-body galvanised bracket
- Vibration resistant star-washers
- High-strength V-bar
- Wing nuts

Order Stock Code:  
POP-50001 (S511)



## Portable Power Pack Hardware Kit

- Mega fuse holder
- Battery terminals
- 100Amp fuse
- Wiring lugs

Order Stock Code:  
POP-50004 (S512)



## Dual Controller Interface Cable

The interface cable is used to mate the controller and the Intelligent Solenoid, as well as the Portable Power Pack box.

Order Stock Code:  
BSP-10206 (S392) 3.5 meters  
BSP-10207 (S391) 6.0 meters



## Slide-Lid Plastic Grey Battery Box

- Multiple cable-entry surfaces
- Uses battery U-bolt bracket
- Slide-lock lid

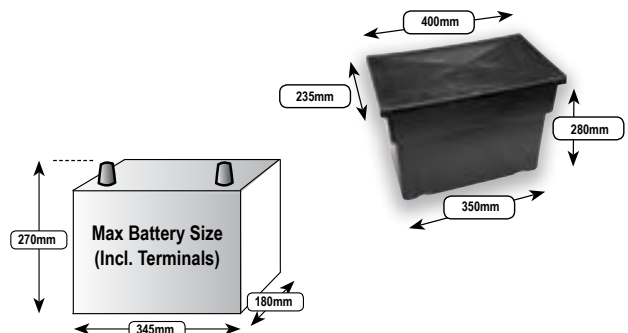
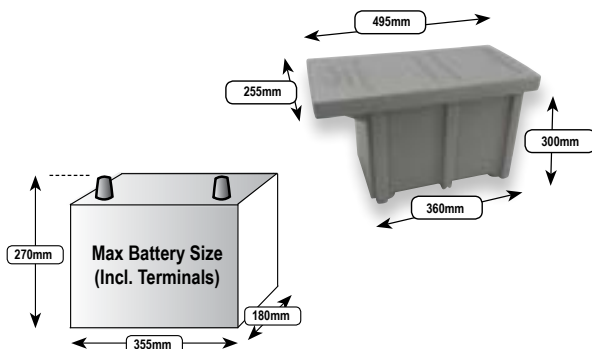
Order Stock Code:  
PLO-20001 (S718)



## Black Plastic Battery Box

- Accommodates up to 105Ah batteries
- Moulded plastic box with lid
- Available in black only

Order Stock Code:  
PLO-20002 (S715)





# Battery Management Accessories

## In-Line Accessory Fuse

- Standard automotive blade fuses (15A supplied)
- Push-on wire terminals
- End-to-end stackable
- Clear dirt cover

Order Stock Code:

**FUS-41006 Bulk (No Fuse)**

**BSP-10001 (S406) Packaged**



## MTA Weather Proof In-Line Fuse Holder

- Standard automotive blade fuses (15A supplied)
- Water-proof when closed
- Pre-fitted 4.0mm<sup>2</sup> wires

Order Stock Code:

**FUS-42002 Bulk (No Fuse)**

**BSP-10002 (S407) Packaged**



## MTA In-Line Fuse Holder

- Accommodates cables up to 16mm<sup>2</sup>
- Insulated strip-fuse holder
- Fuse not supplied
- Clip on cover
- Suits 30-125Amp fuses

Order Stock Code:

**FUS-42001 Bulk (No Lugs)**

**BSP-10201 (S414) Packaged**



## Brass Shunt to suit MTA & Mega Fuse Holders

- Used for connecting wires without a fuse
- Supplied as brass strip only (No fuse holder supplied)

Order Stock Code:

**MET-22001 Bulk only**



## NL In-Line Fuse Holder

- Accommodates cables up to 16mm<sup>2</sup>
- Insulated strip-fuse holder
- Spare fuse holder
- Clip on cover
- Suits 30-125Amp fuses
- Fuses not supplied
- 2x (5x16mm Lugs)

Order Stock Code:

**FUS-42004 Bulk (No Lugs)**

**BSP-10103 Packaged 2xLugs**



## NL Mega Fuse Holder 4-way

- Suitable for cables up to 35mm<sup>2</sup>
- Long, high-strength studs
- 4-way cable entry
- Spare fuse holder
- Suits 30-125Amp fuse
- Fuses not supplied
- Lugs not supplied

Order Stock Code:

**FUS-42003 Bulk**

**BSP-10101 Packaged**



## NL Mega fuse kit (retail packaging)

- Supplied with strip-fuses, lugs & screws
- Suitable for cables up to 35mm<sup>2</sup>
- 2 X 100Amp fuses supplied
- Mega fuse holder
- 4 way junction
- Brass shunt

Order Stock Code:

**BSP-10102 (S417) Packaged**



## MidiVal Strip-Fuses Bulk (Not Packaged)

- Suitable for MTA, NL in-line Fuse holder and Mega fuse holders

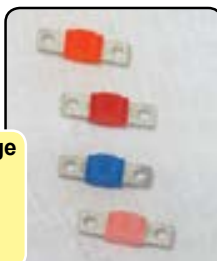
Order Stock Code:

**FUS-20300 (S405) 30Amp Orange**

**FUS-20500 (S416) 50Amp Red**

**FUS-21000 (S415) 100Amp Blue**

**FUS-21250 (S419) 125Amp Pink**



## MidiVal Strip-Fuses Packaged (Individually)

- Suitable for MTA, NL in-line Fuse holder and Mega fuse holders

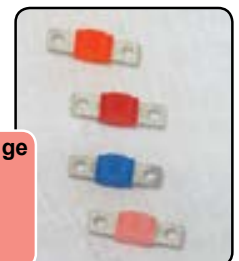
Order Stock Code:

**BSP-20300 (S405) 30Amp Orange**

**BSP-20500 (S416) 50Amp Red**

**BSP-21000 (S415) 100Amp Blue**

**BSP-21250 (S419) 125Amp Pink**







# Battery Management Accessories

## Hella Female Socket

- Accommodates up to 4mm<sup>2</sup> cable
- DC socket with dirt cover

Order Stock Code:

**CON-01001** Bulk

**BSP-00001** (S336) Packaged



## Earth Tag to Suit Hella Female

- Used for electrical grounding
- Copper-Nickel coated steel
- Solderable surface

Order Stock Code:

**MET-10010** Bulk

**BSP-00005** (S338) Packaged



## Hella Male / DIN Plug

- Accommodates up to 4mm<sup>2</sup> cable
- Fits Hella female socket

Order Stock Code:

**CON-00001** Bulk

**BSP-00101** (S337) Packaged



## Brass Earth Tag to Suit Hella Female

- Used for electrical grounding
- Suitable for 6.3mm push-on lug
- Solderable surface

Order Stock Code:

**MET-10014** (no Lugs) Bulk

**BSP-00008** (2 x Lugs) Packaged



## Hella Equivalent Female Socket Aluminium Body

- High-quality DC contacts
- Spring-loaded dirt cover
- Push-on male terminals

Order Stock Code:

**CON-01003** Bulk



## Hella Equivalent Female Socket Aluminium Body

- High-quality DC contacts
- Spring-loaded dirt cover
- Push-on male terminals
- 2 x 4mm female terminals
- 2 x 2.5mm female terminals

Order Stock Code:

**BSP-00002** (S404) Packaged



## Female Socket with protective cap plastic

- High-quality DC contacts
- Spring-loaded dirt cover
- Push-on male terminals
- Suits Din / Hella male std.

Order Stock Code:

**CON-01005** Bulk

**BSP-00006** Packaged



## Female Socket with protective cap (90° Angle) plastic

- High-quality DC contacts
- Spring-loaded dirt cover
- Push-on male terminals

Order Stock Code:

**CON-01006** Bulk

**BSP-00007** Packaged



## Cigar Female Socket

- Standard panel-mount cigarette-lighter socket
- Rubber dirt cover
- Grounded body

Order Stock Code:

**BSP-00003** (S401) Packaged



## Cigar Female Socket with Battery Clamps

- Cigar lighter female socket with battery clips

Order Stock Code:

**CON-01004** Bulk

**BSP-00004** (S403) Packaged





# Battery Management Accessories

## Cigarette Lighter Socket to Hella Male Adapter

- Plug into existing car cigar lighter and converts to Hella female
- 12 Volt 20Amp rated

Order Stock Code:

**CON-01008** Bulk

**BSP-00108** Packaged



- Cigarette lighter female socket showing the internal clip connection when installed in the vehicle

## Cigar Male Plug

- Solderable internal contacts
- Suits cigar female socket

Order Stock Code:

**BSP-00102 (S400)** Packaged



TO BE REPLACED WITH CON-00003

## Cigar Male Plug (Unfused)

- Solderable internal contacts
- Suits cigar female socket

Order Stock Code:

**CON-00003** Bulk

**BSP-00102** Packaged



## Cigar Male Plug (Internal fused 8 amp)

- Solderable internal contacts
- Suits cigar female socket
- 5x20 8amp Glass fuse

Order Stock Code:

**CON-00006** Bulk

**BSP-00104** Packaged



## Cigar Male Plug (External Blade fuse 7.5 amp) LED

- Push-on 1.5mm<sup>2</sup> wires
- Suits cigar female socket
- 7.5amp Mini car fuse
- LED Power Indicator
- Quick connect

Order Stock Code:

**CON-00007** Bulk

**BSP-00105** Packaged



## Hella / Cigar Universal Plug

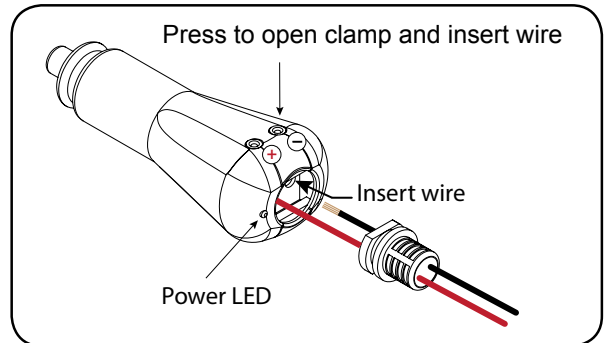
- Combination Hella and cigarette lighter male plug

Order Stock Code:

**BSP-00103 (S402)** Packaged



TO BE REPLACED WITH CON-00004



## Universal Combi Plug - (No Fuse) with LED

- Combination Hella and cigarette lighter male plug
- LED Power indicator
- Suits cigar & Hella female

Order Stock Code:

**CON-00004** Bulk

**BSP-00106** Packaged



## Universal Combi Plug (Internal Fused 15 amp) with LED

- Combination Hella and cigarette lighter male plug
- LED Power indicator
- 5x20 8amp Glass fuse
- Suits cigar & Hella female

Order Stock Code:

**CON-00005** Bulk

**BSP-00107** Packaged





# Battery Management Accessories

## 50-Amp Coupler Grey

- 50A continuous current rating
- Polarised DC coupler
- Up to 16mm<sup>2</sup> cable
- Low-loss terminals
- 2 x required for connection



Order Stock Code:

**CON-03001** Grey (includes terminals) Bulk  
**TER-23003** (S356) Terminal only each

**BSP-00201** Grey (includes terminals) Packaged each

## 50-Amp Coupler Red

- 50A continuous current rating
- Polarised DC coupler
- Up to 16mm<sup>2</sup> cable
- Low-loss terminals
- Each



Order Stock Code:

**CON-03002** Red (includes terminals) Bulk  
**TER-23003** (S356) Terminal only each

**BSP-00202** Red (includes terminals) Packaged each

## 175-Amp Coupler Grey

- 175A continuous current rating
- Polarised DC coupler
- Up to 50mm<sup>2</sup> cable
- Low-loss terminals
- Each



Order Stock Code:

**CON-03101** (includes terminals) Bulk  
**TER-23004** (S429) Terminal only each

**BSP-00301** (S345) (includes terminals) Packaged

## 50A and 175A Rubber Dirt Covers

- Protects couplers from dirt and corrosion



Order Stock Code:

**BSP-00302** (S368) 175Amp  
**BSP-00203** (S367) 50Amp

## MTA Battery Terminals (3 x take-off lugs) Positive

- ISO positive terminal
- Suitable for ISO battery studs
- Tinned copper construction
- M8 & M6 threaded studs
- **Bulk - No nuts supplied**



Order Stock Code:

**CON-04001** Positive (Bulk)

**BSP-30001** Packaged

## 50A and 175A KST Rubber Dirt Covers

- Protects couplers from dirt and corrosion



Order Stock Code:

**BSP-00303** (S368) 175Amp

**BSP-00204** (S367) 50Amp

## MTA Battery Terminals (3 x take-off lugs) Negative

- ISO negative terminal
- Suitable for ISO battery studs
- Tinned copper construction
- M8 & M6 threaded studs
- **Bulk - No nuts supplied**



Order Stock Code:

**CON-04002** Negative (Bulk)

**BSP-30002** Packaged

## SAE Battery Terminals Positive

- Positive terminal
- Suitable for battery studs



Order Stock Code:

**CON-04003** Positive (Bulk)

**BSP-30101** Packaged

## Battery Clamps (used on clip-on lights)

Order Stock Code:

**CON-02001** (S1119) Black (Bulk)  
**CON-02002** (S1118) Red (Bulk)

**BSP-30003** Packaged (Set)



## SAE Battery Terminals Negative

- Negative terminal
- Suitable for battery studs



Order Stock Code:

**CON-04004** Negative (Bulk)

**BSP-30102** Packaged